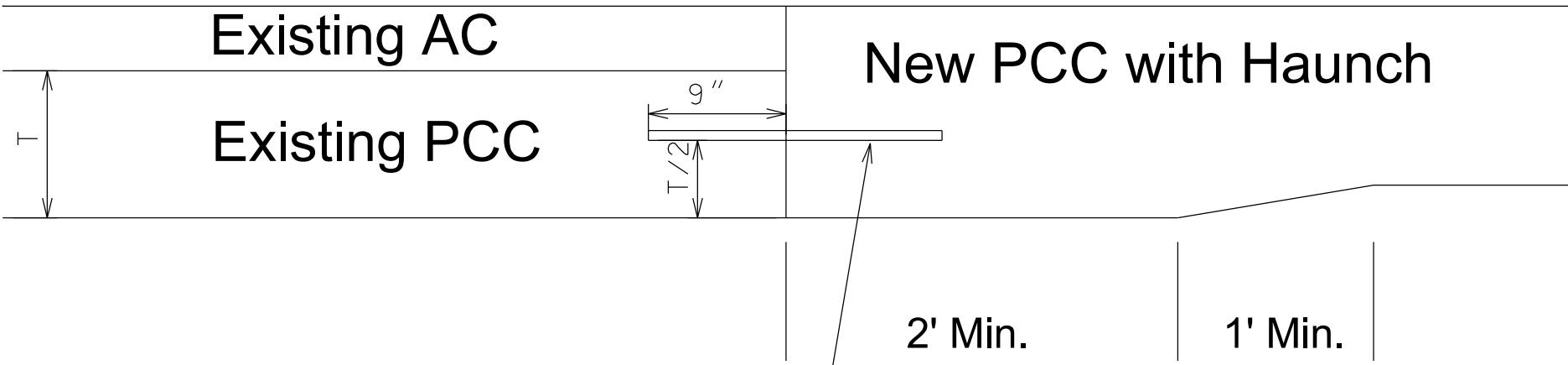


Existing Composite Mainline

New Concrete Drive



No. 5 x 1'-6" Tie Bars on Approx. 2'-9" CTRS. to be drilled and grouted into existing slab.